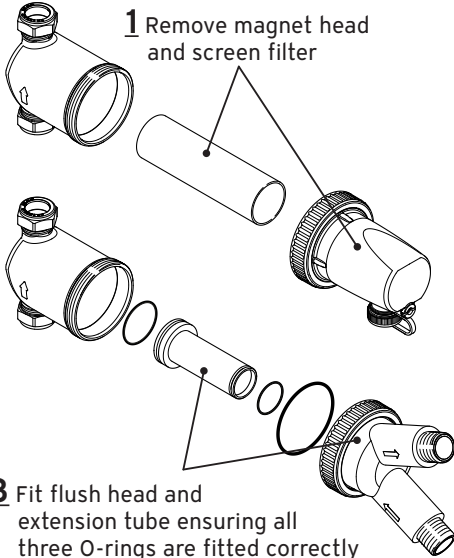


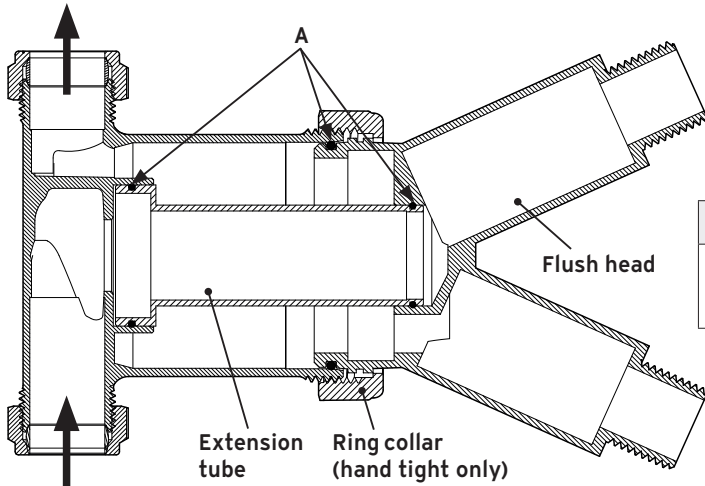
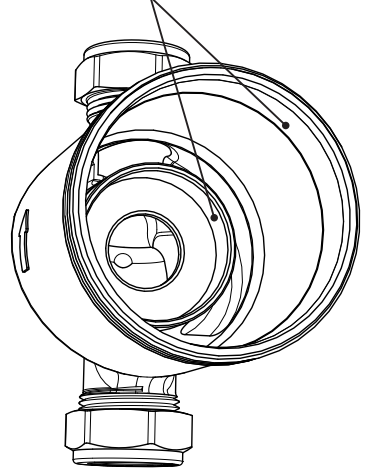
# Vaillant flush and fill port accessory



**1** Remove magnet head and screen filter

**2** Wipe sealing surface with clean soft cloth and water to remove any debris build up. A small amount of silicone oil or grease can be used to lubricate. (No mineral based oil) **DO NOT USE ABRASIVES**

**3** Fit flush head and extension tube ensuring all three O-rings are fitted correctly and ring collar is hand tightened only. **DO NOT OVERTIGHTEN**



SPARE PARTS		
A	'O' ring (pack of three)	VA22WASH (order via Advance)



Heating Hot water Renewables

Vaillant Group UK Ltd.  
 Nottingham Road, Belper, Derbyshire DE56 1JT  
 Telephone 0345 602 2922  
[www.vaillant.co.uk](http://www.vaillant.co.uk)  
[info@vaillant.co.uk](mailto:info@vaillant.co.uk)

VaillantUK  
 vaillantuk  
 VaillantUK  
 vaillant.uk  
 Vaillant UK