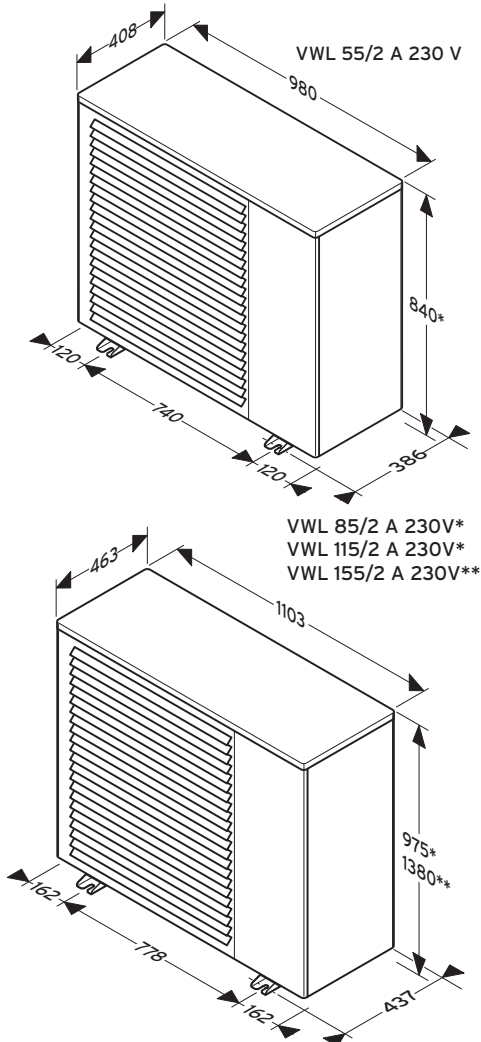


## aroTHERM heat pump technical data

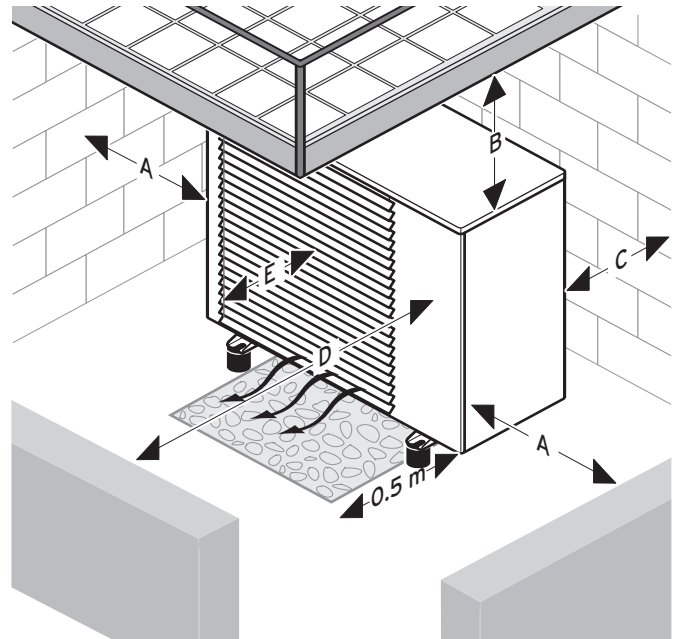


Article No.	Vaillant parts
0020196231	aroTHERM 5kW pack
0020175478	aroTHERM 8kW pack
0020175479	aroTHERM 11kW pack
0020196232	aroTHERM 15kW pack
0020165288	750mm flexi hose
0020175140	600mm anti-vibration feet
0020145563	glycol discharge vessel
0020177865	aroTHERM 40ltrs buffer de-coupler mod
0020145030	back up heater
0020143800	Hex module
Article No.	aroTHERM Hybrid systems
0020196235	aroTHERM 5kW hybrid
0020178074	aroTHERM 8kW hybrid
0020178075	aroTHERM 11kW hybrid
0020196236	aroTHERM 15kW hybrid
0020196233	aroTHERM 5kW hybrid (for VL boiler)
0020178072	aroTHERM 8kW hybrid (for VL boiler)
0020178073	aroTHERM 11kW hybrid (for VL boiler)
0020196234	aroTHERM 15kW hybrid (for VL boiler)

### Dimensions:



		Outdoor temp	5kW	8kW	11kW	15kW
Flow 35°C MCS 6 star system	-5°C	kW	5.00	7.32	8.23	12.65
		CoP	2.82	2.83	2.66	2.75
	-3°C	kW	5.00	7.70	8.42	12.90
		CoP	3.01	2.91	2.75	3.00
	0°C	kW	5.00	7.81	9.25	13.20
		CoP	3.25	3.12	2.97	3.20
	2°C	kW	5.00	8.27	9.81	14.00
		CoP	3.40	3.38	3.20	3.30
7°C	kW	5.00	8.41	11.20	14.60	
	CoP	4.67	4.75	4.25	4.46	
Flow 45°C MCS 4 star system	-5°C	kW	5.00	5.84	7.17	11.00
		CoP	2.10	2.31	2.16	2.43
	-3°C	kW	5.00	5.98	7.30	11.50
		CoP	2.38	2.40	2.19	2.60
	0°C	kW	5.00	6.58	7.88	12.40
		CoP	2.56	2.57	2.35	2.80
anything over a 3 star system cannot get RHI						
Flow 55°C MCS 2 star system	-5°C	kW	4.36	4.41	5.61	9.90
		CoP	1.61	1.89	1.64	2.22
	-3°C	kW	4.50	4.72	6.00	10.30
		CoP	1.85	1.97	1.72	2.23
	0°C	kW	5.00	5.37	6.70	11.20
		CoP	2.00	2.45	1.90	2.40



Clearance	For Heating Mode
A	> 250mm
B	> 1000mm
C	> 120mm
D	> 600mm
E	> 300mm

Technical data - General	VWL 55/2 A 230 V	VWL 85/2 A 230 V	VWL 115/2 A 230 V	VWL 155/2 A 230 V
Heat pump type	Monoblock air/water heat pump	Monoblock air/water heat pump	Monoblock air/water heat pump	Monoblock air/water heat pump
Flow/return heating connections, boiler side	1 1/4"	1 1/4"	1 1/4"	1 1/4"
Product dimensions, width	970 mm	1,103 mm	1,103 mm	1,103 mm
Product dimensions, height	834 mm	975 mm	975 mm	1,375 mm
Product dimensions, depth	408 mm	463 mm	463 mm	463 mm
Net weight	90 kg	106 kg	126 kg	165 kg
Hydraulic lines material	Copper	Copper	Copper	Copper
Hydraulic connections material	Brass	Brass	Brass	Brass
Hydraulic seals material	EPDM	EPDM	EPDM	EPDM
Plate heat exchanger material	AISI 304 stainless steel	AISI 304 stainless steel	AISI 304 stainless steel	AISI 304 stainless steel
Pump casing material	Painted cast iron	Painted cast iron	Painted cast iron	Painted cast iron
Pollution rating	2	2	2	2
Electric connection	230 V/50 Hz	230 V/50 Hz	230 V/50 Hz	230 V/50 Hz
Fuse type	T4A	T4A	T4A	T4A
Inverter controller fuse	HRC 20 A 550 V	HRC 20 A 550 V	HRC 20 A 550 V	HRC 20 A 550 V
Level of protection	IP 25	IP 25	IP 25	IP 25
Maximum start-up current	16 A	16 A	20 A	25 A
Maximum current consumption	16 A	16 A	20 A	25 A
Pump power consumption	15 ... 70 W	15 ... 70 W	15 ... 70 W	6 ... 87 W
Fan power consumption	15 ... 42 W	15 ... 42 W	15 ... 76 W	15 ... 76 W Note 2 x
Electrical classification	I	I	I	I
Overvoltage category	II	II	II	II
Fan rotational speed	550 rpm	550 rpm	700 rpm	600 rpm
Sound power level for A7W35 according to EN 12102 and EN ISO 9614-1	58 dB(A)	60 dB(A)	65 dB(A)	65 dB(A)
Sound power level for A7W45 according to EN 12102 and EN ISO 9614-1	59 dB(A)	60 dB(A)	65 dB(A)	65 dB(A)
Sound power level for A7W55 according to EN 12102 and EN ISO 9614-1	61 dB(A)	61 dB(A)	66 dB(A)	66 dB(A)
Maximum cylinder temperature	60°C	63°C	63°C	63°C
Minimum air temperature (heating and cylinder charging)	-15°C	-20°C	-20°C	-20°C
Maximum air temperature (heating)	28°C	28°C	28°C	28°C
Max. air temperature (cylinder charging)	46°C	46°C	46°C	46°C
Max. air flow	2,000 m <sup>3</sup> /h	2,700 m <sup>3</sup> /h	3,400 m <sup>3</sup> /h	5,500 m <sup>3</sup> /h
Technical data - Heating circuit	VWL 55/2 A 230 V	VWL 85/2 A 230 V	VWL 115/2 A 230 V	VWL 155/2 A 230 V
Minimum operating pressure	0.1 MPa (1.0 bar)	0.1 MPa (1.0 bar)	0.1 MPa (1.0 bar)	0.1 MPa (1.0 bar)
Maximum operating pressure	0.3 MPa (3.0 bar)	0.3 MPa (3.0 bar)	0.3 MPa (3.0 bar)	0.3 MPa (3.0 bar)
Heating circuit water contents in the heat pump	1.1 l	1.6 l	2.1 l	2.7 l
Minimum heating circuit water contents	17 l	21 l	35 l	60 l
Min. volume flow rate	380 l/h	380 l/h	540 l/h	1,200 l/h
Nominal volume flow rate, max. volume flow rate	860 l/h	1,400 l/h	1,900 l/h	2,590 l/h
Hydraulic pressure difference	640 mbar	450 mbar	300 mbar	370 mbar

