

For the operator For the competent person

## Operating and installation instructions



### Remote control unit

VR 91f

GB, IE

**Publisher/manufacture**

**Vaillant GmbH**

Berghäuser Str. 40 ■ D-42859 Remscheid  
Tel. +49 21 91 18-0 ■ Fax +49 21 91 18-2810  
info@vaillant.de ■ www.vaillant.de



# Contents

<b>Contents</b>	<b>B For the competent person .....</b>	<b>18</b>
<b>1 Safety .....</b>	B.1 Installer level.....	18
1.1 For the operator .....	B.2 Remedy .....	18
1.2 General safety information for the end user .....	B.3 Troubleshooting .....	18
1.3 Recycling and disposal .....		
1.4 For the competent person.....		
1.5 General safety information for the competent person .....		
<b>2 For the operator .....</b>		<b>6</b>
2.1 Notes on the documentation.....		6
2.2 Product description .....		6
2.3 Operation .....		7
2.4 Operating and display functions ....		7
2.5 Service message .....		8
2.6 Fault message .....		8
2.7 Troubleshooting .....		8
2.8 Care .....		8
2.9 Changing the batteries.....		8
2.10 Decommissioning .....		9
2.11 Recycling and disposal .....		9
2.12 Guarantee and customer service .....		9
<b>3 For the competent person .....</b>		<b>9</b>
3.1 Notes on the documentation.....		9
3.2 Installation.....		10
3.3 Start-up .....		12
3.4 Handing over to the operator.....		12
3.5 Operation .....		12
3.6 Operating and display functions .....		13
3.7 Fault messages and faults.....		14
3.8 Decommissioning .....		14
3.9 Customer service.....		14
3.10 Technical data .....		14
<b>Appendix .....</b>		<b>15</b>
<b>A For the operator .....</b>		<b>15</b>
A.1 Operating modes .....		15
A.2 Operating levels.....		15
A.3 Troubleshooting .....		17

## 1 Safety

### 1.1 For the operator

#### 1.1.1 Intended use

In the event of inappropriate or improper use, damage to the product and other property may arise.

The product enables a zone to be controlled remotely via an eBUS interface.

The wireless remote control must be installed in a location that has sufficient reception. The radio remote control is not intended to be portable.

The following components are required for operation:

- VRC 700f

Intended use includes the following:

- observance of the operating instructions included for the product and any other system components
- compliance with all inspection and maintenance conditions listed in the instructions.

This product can be used by children aged from 8 years and above and persons with reduced physical, sensory or mental capabilities or lack of experience and knowledge if they have been given supervision or instruction concerning

use of the product in a safe way and understand the hazards involved. Children must not play with the product. Cleaning and user maintenance work must not be carried out by children unless they are supervised.

Any other use that is not specified in these instructions, or use beyond that specified in this document shall be considered improper use. Any direct commercial or industrial use is also deemed to be improper.

#### **Caution.**

Improper use of any kind is prohibited.

### 1.2 General safety information for the end user

#### 1.2.1 Danger caused by improper operation

Improper operation may present a danger to you and others, and cause material damage.

- ▶ Carefully read the enclosed instructions and all other applicable documents, particularly the "Safety" section and the warnings.
- ▶ Only carry out the activities for which instructions are provided in these operating instructions.

# 1 Safety

## 1.2.2 Risk of injury caused by batteries

If the batteries are recharged contrary to instructions, there is a risk of serious personal injury.

- ▶ Do not recharge the batteries.

## 1.2.3 Risk of material damage

- ▶ Do not short-circuit the connection contacts in the product's battery compartment.

## 1.2.4 Risk of material damage caused by acid

- ▶ Remove any dead batteries from the product and dispose of these properly.
- ▶ Remove the batteries if you intend to store the product and not use it for an extended period.

## 1.3 Recycling and disposal

- ▶ The competent person who installed your product is responsible for the disposal of the packaging.



If the product is labelled with this mark:

- ▶ In this case, do not dispose of the product with the household waste.
- ▶ Instead, hand in the product to a collection centre for waste electronic or electrical equipment.



If the product contains batteries that are labelled with this mark, these batteries may contain substances that are hazardous to human health and the environment.

- ▶ In this case, dispose of the batteries at a collection point for batteries.

## 1.4 For the competent person

### 1.4.1 Intended use

In the event of inappropriate or improper use, damage to the product and other property may arise.

The product enables a zone to be controlled remotely via an eBUS interface.

The wireless remote control must be installed in a location that has sufficient reception. The radio remote control is not intended to be portable.

The following components are required for operation:

- VRC 700f

Intended use includes the following:

- observance of accompanying operating, installation and servicing instructions for the product and any other system components

- installing and fitting the product in accordance with the product and system approval
- compliance with all inspection and maintenance conditions listed in the instructions.

Intended use also covers installation in accordance with the IP class.

Any other use that is not specified in these instructions, or use beyond that specified in this document shall be considered improper use. Any direct commercial or industrial use is also deemed to be improper.

### **Caution.**

Improper use of any kind is prohibited.

## **1.5 General safety information for the competent person**

### **1.5.1 Risk caused by inadequate qualifications**

The following work must only be carried out by competent persons who are sufficiently qualified to do so:

- Set-up
- Disassembly
- Installation
- Start-up
- Maintenance

- Repair
- Decommissioning
- ▶ Observe all instructions that are included with the product.
- ▶ Proceed in accordance with the current state of technology.
- ▶ Observe all applicable directives, standards, laws and other regulations.

### **1.5.2 Requirements for lines**

- ▶ Use standard commercial lines for the wiring.
  - Minimum cross-section:  $\geq 0.75 \text{ mm}^2$
  - Maximum line length:  $\leq 125 \text{ m}$

## 2 For the operator

### 2 For the operator

#### 2.1 Notes on the documentation

##### 2.1.1 Observing other applicable documents

- ▶ You must observe all operating instructions enclosed with the system components.

##### 2.1.2 Storing documents

- ▶ Keep this manual and all other applicable documents safe for future use.

##### 2.1.3 Validity of the instructions

These instructions apply only to:

##### VR 91f – article number

Great Britain	0020231566
---------------	------------

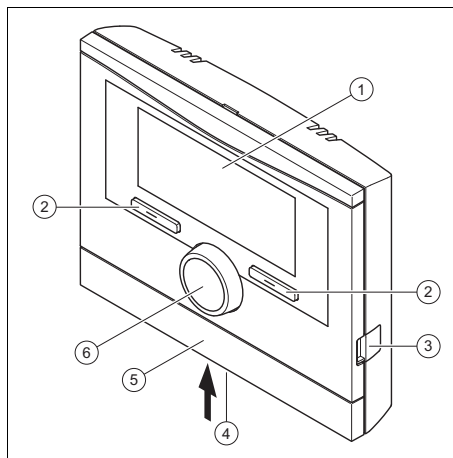
##### 2.1.4 Nomenclature

The following terms are used for simplification:

- Control: This refers to the **VRC 700f/4** radio control.
- Remote control: This refers to the **VR 91f** remote control.
- Outdoor temperature sensor: This refers to the wireless outdoor temperature sensor.

#### 2.2 Product description

##### 2.2.1 Design of the product



- |   |                    |   |                          |
|---|--------------------|---|--------------------------|
| 1 | Display            | 4 | Battery compartment      |
| 2 | Selection button   | 5 | Wall-mounting base cover |
| 3 | Diagnostics socket | 6 | Rotary knob              |

##### 2.2.2 Main function

The remote control sends data, such as the current room temperature, to the radio receiver unit. The remote control receives data from the radio receiver unit that you can read on the display. On the remote control you can, for example, set the operating mode, the time periods or the temperature.


##### 2.2.3 Preventing malfunctions

- ▶ Ensure that the room air can circulate freely around the remote control, and that the remote control is not covered by furniture, curtains or other objects.
- ▶ Ensure that all radiator valves in the room where the remote control is fitted are fully open.

## 2.2.4 Identification plate

The data plate is located on the rear of the remote control underneath the unit mounting bracket.

The identification plate contains the following information:

Information on the identification plate	Meaning
Serial number	for identification; 7th to 16th digits = product article number
<b>VR 91f</b>	Product designation
V	Operating voltage
mA	Current consumption
	Read the instructions
LR06	Battery type designation
T60	Max. permitted environmental temperature: 0 to 60 °C

### 2.2.5 Serial number

You can call up the serial number to the display under **Menu** → **Information** → **Serial number**. The 10-digit article number is located in the second line.

### 2.2.6 CE marking



The CE mark shows that the products comply with the basic requirements of the applicable guidelines as stated on the data plate.

The manufacturer hereby declares that the type of radio equipment that is described in these instructions complies with Directive 2014/53/EU. The complete text of the EU declaration of conformity can be viewed at the manufacturer's site.

## 2.3 Operation

You can only operate the remote control in combination with the **VRC 700f** control. This means that it is necessary to read the operating instructions for the **VRC 700f** control.

The operating instructions for the controller will provide you with

- Information on the operating structure.
- Information on the operating concept with examples.
- A detailed description of the operating and display functions that the remote control unit also has.

## 2.4 Operating and display functions

Operating modes (→ Page 15)

Operating levels (→ Page 15)

The path details given at the start of each function description indicate how you reach this function in the menu structure.

### 2.4.1 Reading the reception strength

**Menu** → **Information** → **System status** → **Signal strength**

- You can use this function to read how strong the radio link between the radio receiver unit and the remote control is.
- 4: The radio link is within the acceptable range. If the reception strength is < 4, the radio link is not stable.
- 10: The radio link is highly stable.

### 2.4.2 Reading the battery status

**Menu** → **Information** → **System status** → **Battery status**

- You can use this function to read the battery's state of charge.
- **OK**: The battery has sufficient charge.
- **Critical**: The battery is almost flat.

## 2 For the operator

### 2.5 Service message

If maintenance is required, the text **Main-tenance** and the ⚡ symbol appear in the remote control unit display.

You can read the specific maintenance messages on the controller display and find out which measures you need to take from the controller operating instructions.

### 2.6 Fault message

If a fault occurs in the heating installation, Ⓢ will appear in the display together with a fault message. The competent person must clear or rectify the fault in the heating installation, otherwise it could cause material damage or make the heating installation malfunction.

- ▶ Inform a competent person.

### 2.7 Troubleshooting

Troubleshooting faults (→ Appendix A.3)

### 2.8 Care

#### 2.8.1 Caring for the product

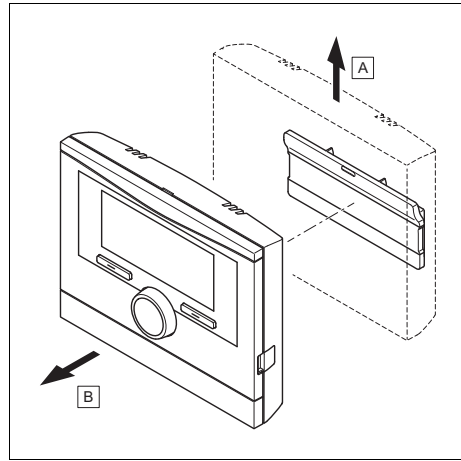


**Caution.**  
**Risk of material damage caused by unsuitable cleaning agents.**

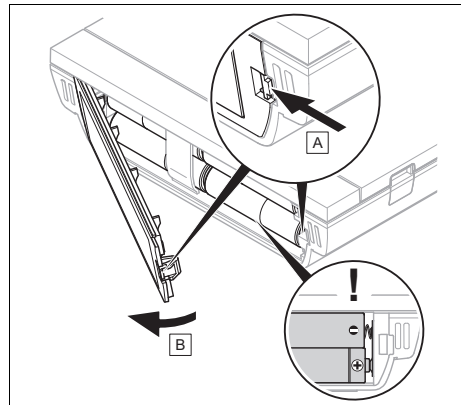
- ▶ Do not use sprays, scouring agents, detergents, solvents or cleaning agents that contain chlorine.

- ▶ Clean the casing with a damp cloth and a little solvent-free soap.

### 2.9 Changing the batteries



1. Remove the remote control from the unit mounting bracket as shown in the figure.

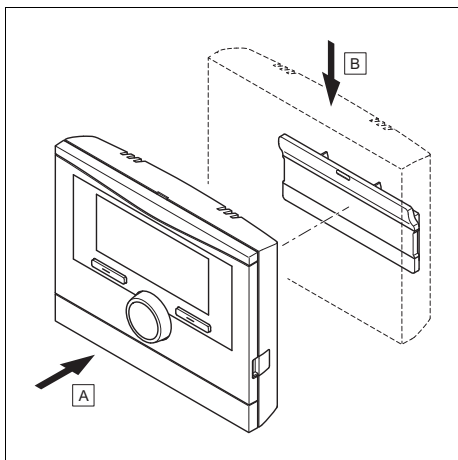


2. Open the battery compartment as shown in the figure.
3. Always change all the batteries at the same time.
  - Only use LR06 batteries
  - Do not use rechargeable batteries
  - Do not combine the batteries with other battery types
  - Do not combine new and used batteries
4. Insert the batteries, making sure that the poles are the right way round.



## For the competent person 3

5. Do not short-circuit the connection contacts.
6. Close the battery compartment.



7. Clip the remote control into the unit mounting bracket as shown in the figure, making sure that it clicks into place.

### 2.10 Decommissioning

#### 2.10.1 Decommissioning the product

If you want to replace or remove the product, you must decommission the heating installation.

- ▶ This work should be carried out by a competent person.
- ▶ Remove the batteries if you intend to store the product and not use it for an extended period.

#### 2.11 Recycling and disposal

- ▶ The competent person who installed your product is responsible for the disposal of the packaging.



If the product is labelled with this mark:

- ▶ In this case, do not dispose of the product with the household waste.

- ▶ Instead, hand in the product to a collection centre for waste electronic or electrical equipment.



If the product contains batteries that are labelled with this mark, these batteries may contain substances that are hazardous to human health and the environment.

- ▶ In this case, dispose of the batteries at a collection point for batteries.

### 2.12 Guarantee and customer service

#### 2.12.1 Guarantee

We only grant a Vaillant manufacturers warranty if a suitably qualified engineer has installed the system in accordance with Vaillant instructions. The system owner will be granted a warranty in accordance with the Vaillant terms and conditions. All requests for work during the guarantee period must be made to Vaillant Service Solutions.

#### 2.12.2 Customer service

To ensure regular servicing, it is strongly recommended that arrangements are made for a Maintenance Agreement. Please contact Vaillant Service Solutions for further details:

Telephone: 0330 100 3461

## 3 For the competent person

### 3.1 Notes on the documentation

#### 3.1.1 Observing other applicable documents

- ▶ You must observe all the operating and installation instructions included with the system components.

## 3 For the competent person

### 3.1.2 Storing documents

- ▶ Pass these instructions and all other applicable documents on to the system operator.

### 3.1.3 Validity of the instructions

These instructions apply only to:

#### VR 91f – article number

Great Britain	0020231566
---------------	------------

## 3.2 Installation

### 3.2.1 Checking the scope of delivery

Quantity	Contents
1	Remote control unit
1	Fastening material (2 bolts and 2 wall plugs)
4	Batteries, LR06
1	Documentation

### 3.2.2 Requirements for determining the reception strength of the remote control

- The set-up and installation of all system components and the radio receiver unit (except for the control and the outdoor temperature sensor) is complete.
- The power supply for the entire system is switched on.
- The system components are switched on.

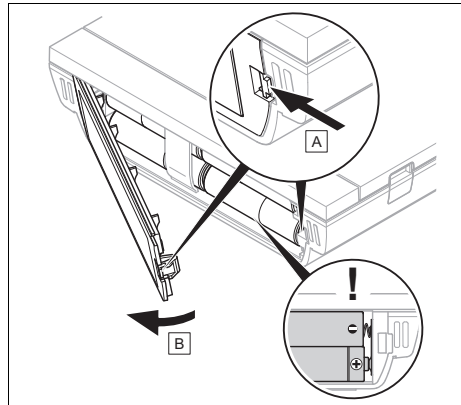
### 3.2.3 Installing the remote control

#### Determining the installation site of the remote control in the building

1. Choose an installation site that meets the following requirements.
  - Interior wall of the main living room
  - Installation height: 1.5 m
  - not in direct sunlight
  - not affected by heat sources

### Determining the reception strength of the remote control at the chosen installation site

2. Observe all the points listed in "Requirements for determining the reception strength of the remote control (→ Page 10)".
3. Stand next to the radio receiver unit.



4. Open the remote control's battery compartment as shown in the figure.
5. Insert the batteries, making sure that the poles are the right way round.
  - ◀ The installation assistant starts.
6. Close the battery compartment.
7. Select the language.
8. In ascending order, enter the addresses in the **Remote control address** function.
9. Start with address 1.
10. Press the **OK** selection button.
  - ◀ The installation assistant starts the pairing process.
11. Press the pair button on the radio receiver unit within 10 seconds.
  - ◀ **Pairing successful. Control is being restarted.** appears on the display.
12. Continue pressing the functions that appear using the **OK** selection button

## For the competent person 3

until the **Radio link signal strength** function appears in the display.

13. Go to the chosen installation site.
14. Close all doors behind you on the way to the installation site.
15. If dashes (--) appear in the display instead of the value and the background lighting is off, press one of the selection buttons or turn the rotary knob.

**Conditions:** Background lighting is on, The display shows dashes (--)

- ▶ Make sure that the power supply is switched on.

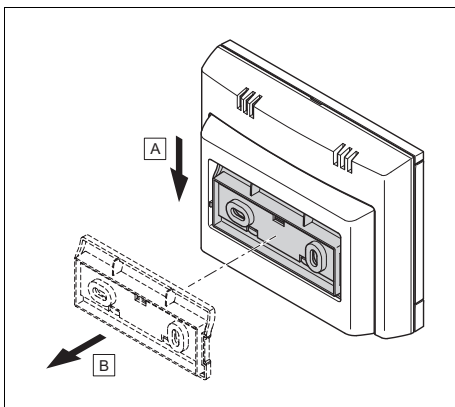
**Conditions:** Background lighting is on, The display shows dashes (--), The reception strength is  $< 4$

- ▶ Find an installation site for the remote control that is within the reception range.

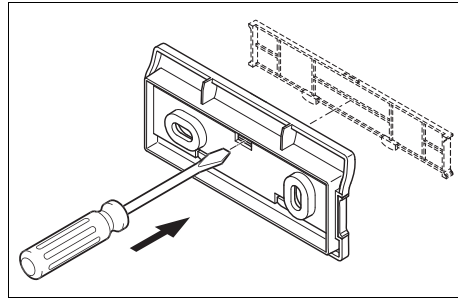
**Conditions:** Background lighting is on, The reception strength is  $\geq 4$

- ▶ Mark the position on the wall where the reception strength is sufficiently high.

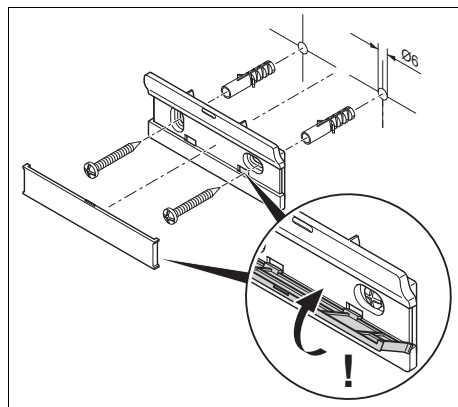
### Attaching the unit mounting bracket to the wall



16. Remove the unit mounting bracket from the remote control as shown in the figure.



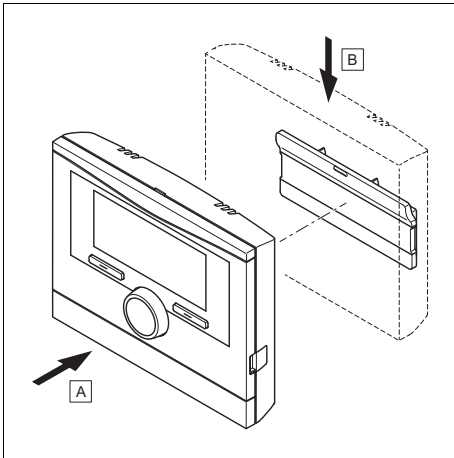
17. Remove the cover on the unit mounting bracket as shown in the figure.



18. Attach the unit mounting bracket including cover as shown in the figure.

## 3 For the competent person

### Fitting the remote control



19. Fit the remote control to the unit mounting bracket as shown in the figure, making sure that it clicks into place.

### 3.3 Start-up

#### 3.3.1 Preparatory work for start-up

- The remote control has been installed.
- The installation assistant has been closed by pressing the **OK** selection button and the display is showing the basic display.
- The reception strength is  $\geq 4$ .

#### 3.3.2 Configuring settings on the control

1. If you would also like to use the room temperature sensor in the remote control unit, select the **Temp. mod.** or **Thermost.** setting in the **Room temp. mod.** function.
2. Specify in which zone the remote control unit has been installed.
3. Scroll through the display to the zone in which the remote control unit has been installed.
4. Reduce the setting in this zone to **Yes** in the **Zone activated** function.

5. Assign the address for the remote control unit that should be triggered in the **Zone assignment** function in this zone.

#### 3.3.3 Changing the settings later

All settings that you have made via the installation assistant can be changed again at a later date via the operator or installer operating level.

Operating levels (→ Page 15)

Installer level (→ Page 18)

### 3.4 Handing over to the operator

- ▶ You must inform the operator about how to handle their product and how it works.
- ▶ Provide the operator with all relevant instructions and unit documentation for safe-keeping.
- ▶ Go through the operating instructions with the operator .
- ▶ Answer any questions the operator may have.
- ▶ In particular, draw the operator's attention to the safety information that they must follow.
- ▶ Inform the operator that room air must be able to circulate freely around the product, and that it should not be covered by furniture, curtains or other objects.
- ▶ Inform the operator that all the radiator valves in the room where the product is installed must be fully open.

### 3.5 Operation

You can only operate the remote control in combination with the **VRC 700f** control. This means that it is necessary to read the operating instructions for the **VRC 700f** control.

The operating instructions for the controller will provide you with

- Information on the operating structure.

## For the competent person 3

- Information on the operating concept with examples.
- A detailed description of the operating and display functions that the remote control unit also has.

### 3.5.1 Resetting to factory setting

You can use this function to reset all the set values that you configured using the remote control installation assistant.

The communication link between the remote control and the radio receiver unit must not be broken or interrupted.

You can access the **Reset to default setting?** function directly by activating the remote control using the rotary knob or one of the selection buttons and then pressing and holding both selection buttons at the same time for at least 10 seconds.

### 3.6 Operating and display functions

The remote control has an end user level and an installer level.

The setting and read-out options for the competent person can be found via the selection button **Menu/Installer level** → **Enter code**.

If you do not know the code, you can clear the code using the **Default setting** function. All the set values will be lost if you do this.

Operating modes (→ Page 15)

Operating levels (→ Page 15)

Installer level (→ Page 18)

The path details given at the start of each function description indicate how you reach this function in the menu structure.

#### 3.6.1 Reading the fault status

**Menu** → **Installer level** → **System configuration [System ----]** → **Fault status**

- This function allows you to read the status of the heating installation. If there

is no fault present, the **No fault** message appears. If there is a fault, then **Fault list** appears as a status. If you press the right-hand selection button, the fault messages (→ Page 14) will be displayed.

#### 3.6.2 Reading the software version

**Menu** → **Installer level** → **System configuration [System ----]** → **Control modules**

- You can use this function to read the software versions of the remote control unit.

#### 3.6.3 Setting the address for the remote control unit

**Menu** → **Installer level** → **System configuration [System ----]** → **Remote control address**

- You can use this function to set the address for the remote control unit.

Every remote control unit has a unique address, starting with Address 1. Increase the number in the address consecutively for each additional remote control unit used.

If you change the remote control's address, the pairing process starts automatically. For the radio receiver unit to detect that the remote control has a new address, you will need to press the pair button on the radio receiver unit within 10 seconds.

#### 3.6.4 Reading the reception strength


**Menu** → **Installer level** → **System configuration [System ----]** → **Signal strength**

- You can use this function to read how strong the radio link between the radio receiver unit and the remote control is.
- 4: The radio link is within the acceptable range. If the reception strength is < 4, the radio link is not stable.
- 10: The radio link is highly stable.

## 3 For the competent person

### 3.7 Fault messages and faults

#### 3.7.1 Fault messages

If a fault occurs in the heating installation,  will appear in the display together with a fault message.

##### 3.7.1.1 Troubleshooting measures

Troubleshooting faults (→ Appendix B.2)

Troubleshooting errors (→ Appendix B.3)

### 3.8 Decommissioning

#### 3.8.1 Decommissioning the product

1. Decommission all components of the heating installation, as described in the installation instructions for the individual components.
2. Take the remote control out of the unit mounting bracket.
3. Remove the batteries.
4. Remove the cover on the unit mounting bracket.
5. Unscrew the unit mounting bracket from the wall.

### 3.9 Customer service

Customer service addresses can be found in the installation instructions for the controller.

### 3.10 Technical data

#### 3.10.1 Remote control unit

<b>Battery type</b>	LR06
<b>Transmission frequency</b>	868 MHz
<b>Transmission power</b>	≤ 10 mW
<b>Range outdoors</b>	≤ 100 m
<b>Range indoors</b>	≤ 25 m
<b>Level of protection</b>	IP 20
<b>Protection class</b>	III
<b>Maximum permitted ambient temperature</b>	0 ... 60 °C
<b>Rel. room humidity</b>	35 ... 90 %
<b>Height</b>	115 mm
<b>Width</b>	147 mm
<b>Depth</b>	50 mm

## Appendix

### A For the operator

#### A.1 Operating modes

Operating mode	Setting	Default setting
Operating mode		
Heating	off, Auto, Day, Set-back	Auto
Cooling	off, Auto, Day	Auto
Advanced functions		
1 day at home	active	–
1 day away from home	active	–
Ventilation boost	active	–
Party function	active	–

#### A.2 Operating levels

A detailed description of the functions can be found in the operating instructions for the controller.

Setting level	Values		Unit	Increment, select	Default setting
	Min.	Max.			
<b>Information → System status →</b>					
<b>System ----</b>					
<b>Fault status</b>	Current value			<b>No fault, Fault list</b>	
<b>Curr. room air hum.</b>	Current value		%		
<b>Current dew point</b>	Current value		°C		
<b>Battery status</b>	Current value			<b>Critical, OK</b>	
<b>Signal strength</b>	Current value			1	
<b>ZONE1 ----</b>					
<b>Day temp. heating</b>	Current value		°C	0.5	20
	5	30			
<b>Day temp. cooling</b>	Current value		°C	0.5	24
	15	30			
<b>Set-back temp. heat.</b>	Current value		°C	0.5	15
	5	30			
<b>Room temperature</b>	Current value		°C		
<b>Information → Contact details →</b>					
<b>Installer, Phone number</b>	Current values				
<b>Information → Serial number →</b>					
<b>Unit number</b>	Permanent value				
<b>Desired temperature → ZONE1 →</b>					

## Appendix

Setting level	Values		Unit	Increment, select	Default setting
	Min.	Max.			
Day temp. heating	5	30	°C	0.5	20
Day temp. cooling	15	30	°C	0.5	24
Set-back temp. heat.	5	30	°C	0.5	15
<b>Time programmes → ZONE1: Heating →</b>					
Individual days and blocks				<b>Monday, Tuesday, Wednesday, Thursday, Friday, Saturday, Sunday and Monday - Friday, Saturday - Sunday, Monday - Sunday</b>	Mo - Fr: 06:00-22:00 Sa: 07:30-23:30 Su: 07:30-22:00
Period 1: Start – End Period 2: Start – End Period 3: Start – End	00:00	24:00	h:min	00:10	
<b>Time programmes → ZONE1: Cooling →</b>					
Individual days and blocks				<b>Monday, Tuesday, Wednesday, Thursday, Friday, Saturday, Sunday and Monday - Friday, Saturday - Sunday, Monday - Sunday</b>	Mo - Fr: 06:00-22:00 Sa: 07:30-23:30 Su: 07:30-22:00
Period 1: Start – End Period 2: Start – End Period 3: Start – End	00:00	24:00	h:min	00:10	
<b>Days away from home scheduling →</b>					
Start	01.01.01	31.12.99	dd.mm.yy	Day.Month.Year	01.01.14
End	01.01.01	31.12.99	dd.mm.yy	Day.Month.Year	01.01.14
Temperature	5	30	°C	1	15
<b>Days at home scheduling →</b>					
Start	01.01.01	31.12.99	dd.mm.yy	Day.Month.Year	01.01.14
End	01.01.01	31.12.99	dd.mm.yy	Day.Month.Year	01.01.14
<b>Basic settings → Language →</b>					
				Selectable language	<b>English</b>
<b>Basic settings → Display →</b>					
Display contrast	1	15		1	9



Setting level	Values		Unit	Increment, select	Default setting
	Min.	Max.			
Button lock				off, On	Off
Preferred display				Heating, Cooling	Heating
<b>Basic settings → Offset →</b>					
Room temperature	-3.0	3.0	K	0.5	0.0
<b>Basic settings → Enter zone name →</b>					
ZONE1	1	10		A to Z, 0 to 9, space	ZONE1
<b>Installer level →</b>					
Enter code	000	999		1	000

## A.3 Troubleshooting

Symptom	Possible cause	Measure
Display remains dark	The batteries are flat	<ol style="list-style-type: none"> <li>1. Change all the batteries. (→ Page 8)</li> <li>2. If the fault persists, inform the competent person.</li> </ol>
No changes in the display when the rotary knob is turned	Software error	<ol style="list-style-type: none"> <li>1. Take all the batteries out.</li> <li>2. Insert the batteries in the battery compartment, making sure that the poles are the right way round.</li> <li>3. If the fault persists, inform the competent person.</li> </ol>
No changes in the display via the selection buttons are pressed	Software error	<ol style="list-style-type: none"> <li>1. Take all the batteries out.</li> <li>2. Insert the batteries in the battery compartment, making sure that the poles are the right way round.</li> <li>3. If the fault persists, inform the competent person.</li> </ol>
Display view: <b>No RF communication</b>	The reception strength is too weak	<ol style="list-style-type: none"> <li>1. Take the remote control to the radio receiver unit and see if the reception strength increases.</li> <li>2. If the reception strength is greater than 4, have the competent person install the remote control in a different location.</li> <li>3. If the reception strength when directly next to the radio receiver unit is less than 4, switch off the mains switch for all the heat generators and then wait approximately 1 minute before switching it back on.</li> <li>4. If the fault persists, inform the competent person.</li> </ol>
Display view: <b>Change batteries</b>	The batteries are almost flat	<ol style="list-style-type: none"> <li>1. Change all the batteries. (→ Page 8)</li> <li>2. If the fault persists, inform the competent person.</li> </ol>

# Appendix

Symptom	Possible cause	Measure
Display view: <b>Button lock active To unlock, press OK for 3 seconds</b> , it is not possible to change the settings or values	Button lock is active	<ol style="list-style-type: none"> <li>1. If you would like to change any of the values, follow the instructions on the display.</li> <li>2. Also read the "Activating <b>Button lock</b>" function (→ Operating instructions for the control) for more details.</li> </ol>

## B For the competent person

### B.1 Installer level

Setting level	Values		Increment, select	Default setting
	Min.	Max.		
<b>Installer level →</b>				
<b>Enter code</b>	000	999	1	000
<b>Installer level → System configuration →</b>				
<b>System ----</b>				
<b>Fault status</b>	Current value*			
<b>Control modules</b>	Display		Software version	
<b>Remote control address</b>	1	8	1	1
<b>Signal strength</b>	0	10	1	
* If no fault is present, the status is <b>No fault</b> . If there is a fault, <b>Fault list</b> appears and you can read the fault message in the "Fault messages" section.				

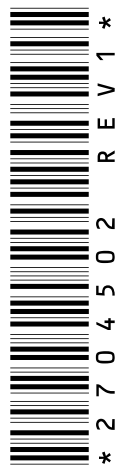
### B.2 Remedy

Message	Possible cause	Measure
<b>Room temp. sensor fault</b>	The room temperature sensor is defective	▶ Replace the remote control unit.
<b>No zone assignment for the remote control or the controller</b>	No remote control address	▶ Set the correct address on the remote control unit in the <b>Remote control address</b> function.
	No zone assignment	▶ Set the correct address for the remote control unit on the controller in the <b>Zone assignment</b> function.
<b>System fault</b>	Faults in the system	▶ Assess the fault messages in the controller.

### B.3 Troubleshooting

Symptom	Possible cause	Measure
Display remains dark	The batteries are flat	▶ Change all the batteries. (→ Page 8)
	The batteries in the control have not been inserted correctly	▶ Insert the batteries in the battery compartment, making sure that the poles are the right way round.
	The product is defective	▶ Replace the product.

Symptom	Possible cause	Measure
No changes in the display when the rotary knob is turned	Software error	<ol style="list-style-type: none"> <li>1. Take all the batteries out.</li> <li>2. Insert the batteries in the battery compartment, making sure that the poles are the right way round.</li> </ol>
	The product is defective	► Replace the product.
No changes in the display via the selection buttons are pressed	Software error	<ol style="list-style-type: none"> <li>1. Take all the batteries out.</li> <li>2. Insert the batteries in the battery compartment, making sure that the poles are the right way round.</li> </ol>
	The product is defective	► Replace the product.
Display view: <b>No RF communication</b>	No power supply to the radio receiver unit	► Reconnect the power supply to the radio receiver unit.
	The remote control is outside the radio reception range	<ol style="list-style-type: none"> <li>1. Take the remote control to the radio receiver unit and see if the reception strength increases.</li> <li>2. If the reception strength is <math>\leq 4</math>, find a new installation site for the remote control.</li> </ol>
	The product is defective	► Replace the product.
It is not possible to switch to the installer level	You do not know the code for the installer level	► Reset the remote control to the factory settings (→ Page 13).



0020253110\_01 ■ 04.02.2017

**Supplier**

**Vaillant Ltd.**

Nottingham Road ■ Belper ■ Derbyshire ■ DE56 1JT

Telephone 0330 100 3461

info@vaillant.co.uk ■ www.vaillant.co.uk

© These instructions, or parts thereof, are protected by copyright and may be reproduced or distributed only with the manufacturer's written consent.

We reserve the right to make technical changes.