

geoTHERM mini

Wall-hung ground source heat pump

Technical specification



- Wall-hung ground source heat pump, which is compact for easy siting
- Ideal for multiple occupancy buildings such as high-rise flats, apartments and small buildings
- Provides an efficient solution for low-energy new build properties
- Compatible with shared ground array and bore hole systems which is also eligible for RHI



vaillantuk

vaillantuk

vaillantuk



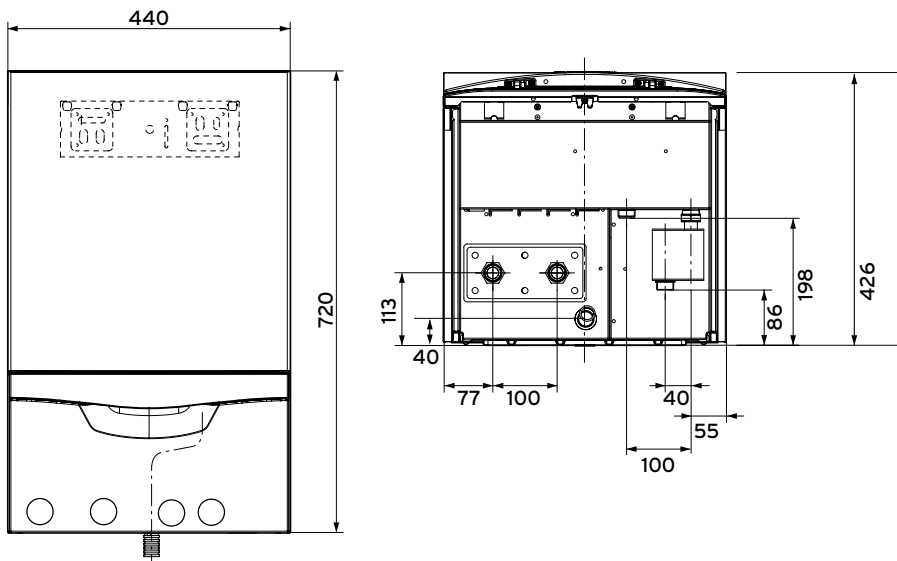
■ Heating ■ Hot water ■ Renewables



Vaillant

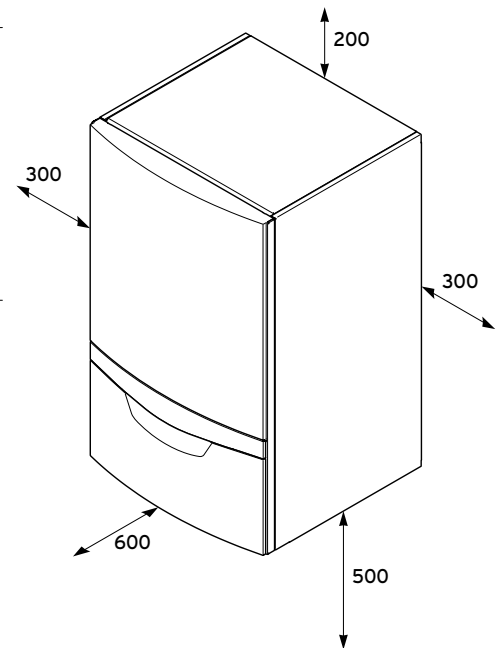
Comfort for your home

Dimensions



NOTE: all measurements are in mm

Clearances



| Technical specification | Unit | geoTHERM mini |
|--|------|--------------------------|
| Article number | | 0020260514 |
| Heat pump type | | Brine / water heat pump |
| Product dimensions, height | mm | 720 |
| Product dimensions, width | mm | 440 |
| Product dimensions, depth | mm | 426 |
| Weight, with packaging | kg | 67 |
| Weight, without packaging | kg | 59 |
| Weight, ready for operation | kg | 66 |
| Installation | | Indoor / dry |
| Permissible ambient temperature at installation site | °C | 7-40 |
| Electrical data | | |
| Heating circuit / compressor | V/Hz | 230 / 50 |
| Control circuit | V/Hz | 230 / 50 |
| Fuse characteristic, type B | A | 16 |
| Optional building earth leakage circuit breaker | | RCB type A or RCB type B |
| Inrush current without soft starter | A | 23 |
| Minimum electrical power consumption for B10/W20 | kW | 0.6 |
| Maximum electrical power consumption for B20/W55 | kW | 1 |
| Maximum electrical power consumption in continuous operation | A | 4.7 |
| IP rating | | IP 20 |
| ErP rating at 35°C | band | A++ |
| ErP rating at 55°C | band | A+ |
| Hydraulic connections | | |
| Heating and brine flow / return | mm | 22 |

| Heat circuit / brine circuit | | |
|---|-------|----------------------------|
| Volume of the brine circuit | l | 3.5 |
| Minimum pressure of brine fluid | bar | 0.5 |
| Maximum pressure of brine fluid | bar | 3.0 |
| Minimum brine input temperature when heating | °C | -10 |
| Maximum brine input temperature when heating | °C | 20 |
| Nominal flow rate ΔT 3K for B0/W35 | l/hr | 600 |
| Nominal flow rate B0 ΔT 3K/W55 ΔT 8K | l/hr | 450 |
| Maximum rest pressure head B0 ΔT 3K/W35 ΔT 5K | mbar | 590 |
| Maximum rest pressure head B0 ΔT 3K/W55 ΔT 8K | mbar | 640 |
| Electrical power / rated power brine pump | W | 3-70 |
| Electrical power for brine pump at B0/W35 ΔT 3K at 250 mbar pressure drop in the external source circuit | W | 21 |
| Brine type | | Ethylene glycol 30% volume |
| Heating circuit | | |
| Volume of the heating circuit in the heat pump | l | 3.5 |
| Minimum pressure | bar | 0.5 |
| Maximum pressure | bar | 3.0 |
| Minimum flow temperature heating | °C | 20 |
| Maximum flow temperature heating | °C | 60 |
| Nominal flow rate B0 ΔT 3K/W35 ΔT 5K | l/hr | 470 |
| Rest pressure head B0 ΔT 3K/W35 ΔT 5K | mbar | 400 |
| Nominal flow rate B0 ΔT 3K/W55 ΔT 8K | l/hr | 250 |
| Pressure head B0 ΔT 3K/W55 ΔT 8K | mbar | 680 |
| Electrical power / rated power heating circuit pump | W | 4-63 |
| Electrical power heating circuit pump at B0/W35 ΔT 5K at 250 mbar pressure drop in the external heating circuit | W | 21 |
| Heating output B0/W35 ΔT 5K | kW | 2.5 |
| Power consumption B0/W35 ΔT 5K | kW | 0.7 |
| Output figure B0/W35 ΔT 5K / coefficient of performance EN 14511 | | 4 |
| Heating output B0/W45 ΔT 5K | kW | 2.3 |
| Power consumption B0/W45 ΔT 5K | kW | 0.8 |
| Output figure B0/W45 ΔT 5K / coefficient of performance EN 14511 | | 3.1 |
| Heating output B0/W55 ΔT 8K | kW | 2.2 |
| Power consumption B0/W55 ΔT 8K | kW | 0.9 |
| Output figure B0/W55 ΔT 8K / coefficient of performance EN 14511 | | 2.5 |
| Sound power level B0/W35 EN 12102/EN 14511 L_{wi} in heating mode | dB(A) | 45 |
| Refrigerant circuit | | |
| Refrigerant type | | R 410 A |
| Volume of refrigerant circuit in the heat pump | kg | 0.7 |
| Global warming potential in accordance with EU No. 517/2014 | | 2088 |
| CO ₂ equivalent | t | 1.46 |
| Expansion valve type | | Electrical |
| Calculation pressure maximum | bar | 41.5 |
| Compressor type | | Rotary piston |
| Oil type | | FV50S |
| Oil filling quantity | l | 0.3 |

| MCS SCoP performance table | |
|----------------------------|------|
| 35 °C | 3.99 |
| 40 °C | 3.53 |
| 45 °C | 3.06 |
| 50 °C | 3.02 |
| 55 °C | 2.97 |

Sales Support

Vaillant products are available to purchase from reputable heating merchants in the UK. To find contact details for your nearest Vaillant sales representative:

Telephone: 0345 602 0262

Technical Enquiries

For technical assistance:

Telephone: 0330 100 3540

Email: aftersales@vaillant.co.uk

General Enquiries

If you have a general enquiry our friendly reception staff will happily point you in the right direction:

Telephone: 0345 602 2922

Renewable Service

For renewable products aftersales servicing and commissioning:

Telephone: 0330 100 3540

Email: aftersales@vaillant.co.uk

Training Enquiries

Vaillant provide many different training courses. For more information:

Telephone: 0345 601 8885

Email: training.enquiriesuk@vaillant-group.com

Vaillant Group UK Ltd
Nottingham Road, Belper, Derbyshire DE56 1JT
Telephone: 0345 602 2922 www.vaillant.co.uk info@vaillant.co.uk

