



Heating



Hot water



Renewables

# ecoTEC exclusive with Green iQ

Combination boiler 35 and 43kW  
System boiler 27kW



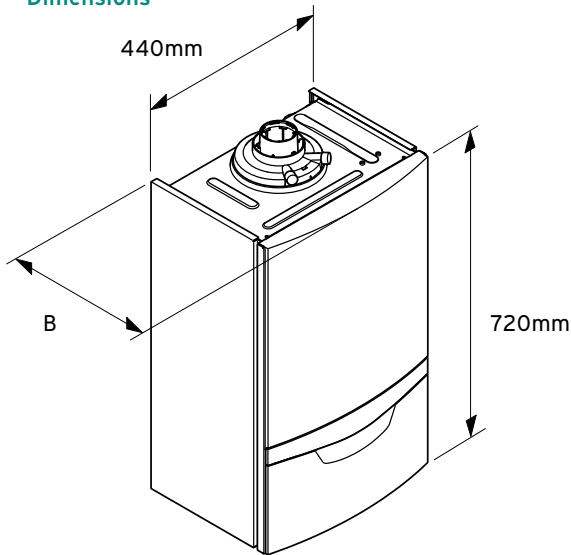
## Key features and benefits

- Boiler Plus compliant out of the box and efficiency further enhanced using Vaillant eBUS controls, including the simple to use Vaillant basic time and temperature controls
- Green iQ mode provides outstanding eco-credentials which optimise running cycles, resulting in even lower gas consumption
- 85% recyclable at the end of its life
- Premium quality components including brass diverter valve, ensuring highest reliability and performance
- Wide modulation of up to 1:10 adapting perfectly to all systems in every situation
- Extra condense stainless steel heat exchanger, taking overall combi boiler efficiency to the next level and almost eliminating plume in DHW mode
- Integral controlled brass diverter valve for system boiler allowing for separate connections to cylinder and heating system straight from the boiler

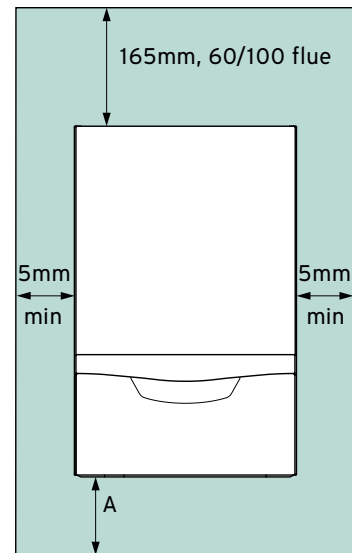


Comfort for your home

## Dimensions



## Clearances



Model	Unit	Dimension B
ecoTEC exclusive 835	mm	406
ecoTEC exclusive 843	mm	474
ecoTEC exclusive 627	mm	338

Minimum clearances	Unit	ecoTEC exclusive 835	ecoTEC exclusive 843	ecoTEC exclusive 627
Side left and right	mm	5	5	5
Top	mm	165	165	165
Below (Dimension A)	mm	180	300	180
Front	mm	500	500	500

Technical data	Unit	ecoTEC exclusive 835	ecoTEC exclusive 843	ecoTEC exclusive 627
<b>General</b>				
Article number		0010017064	0010017065	0010017063
Boiler dimensions (HxWxD)	mm	720 x 440 x 406	720 x 440 x 474	720 x 440 x 338
<b>Heating</b>				
Nominal heat output range at 50/30°C (Condensing mode)	kW	3.9 - 26.4	4.8 - 36.0	3.4 - 26.7
Nominal heat output range at 80/60°C (Non condensing mode)	kW	3.4 - 24.6	4.3 - 33.4	3.0 - 24.7
Flow temperature range	°C	30 - 85	30 - 85	30 - 85
Flow temperature factory setting	°C	75	75	75
Approximate condensate volume at 50/30°C	litres/hr	2.48	3.37	2.52
<b>Domestic Hot Water</b>				
Domestic hot water flow rate (at $\Delta t = 35K$ )	l/min	14.5	17.8	-
<b>Mechanical</b>				
Boiler lift weight (Dry boiler)	kg	47.5	55.0	37.5
Maximum horizontal flue length 60/100	m	5.5	5.5	5.5
<b>Performance</b>				
NO <sub>x</sub> (En 15502-2-1)	mg/kWh	35	36	30
ErP efficiency (Heating / DHW)	A, A/A, A+	A / A	A / A	A / -
ErP efficiency	%	94	94	94
ErP decibel rating (sound power)	dBa	43	51	46

## Vaillant Group UK Ltd.

Nottingham Road, Belper, Derbyshire DE56 1JT

Telephone 0330 678 0878

[www.vaillant.co.uk](http://www.vaillant.co.uk)

[info@vaillant.co.uk](mailto:info@vaillant.co.uk)