

■ Operating and installation instructions



timeSWITCH 150

0020116882

GB, IE

 **Vailant**

Contents

1	Safety	4
1.1	Information	4
1.2	Intended use	4
1.3	General safety information	6
1.3.1	Risk caused by inadequate qualifications.....	6
1.3.2	Danger caused by short-circuits	6
1.3.3	Danger caused by improper operation	6
1.4	Regulations (directives, laws, standards).....	7
2	Notes on the documentation	7

2.1	Observing other applicable documents	7
2.2	Storing documents.....	7
2.3	Validity of the instructions	8
3	Product description	8
3.1	Product design	8
3.2	Main functions.....	9
3.4	CE marking	10
3.3	Data Plate	10
4	Operation	11
4.1	Selecting the operating mode	11
4.2	Setting the timer.....	11
4.3	Setting slides.....	12
4.4	Setting the heating program	12
4.5	Weekend mode.....	12

4.6 Summer time mode	12	7	Technical data	19
4.7 Power failure	13			
4.8 Care	13			
4.9 Recycling and disposal	13			
5 Installation	14			
5.1 Set-up	14			
5.2 Start-up	16			
5.3 Handing over to the owner	16			
5.4 Decommissioning.....	17			
5.5 Recycling and disposal	17			
6 Guarantee and customer service	18			
6.1 Guarantee	18			
6.2 Customer service	18			

1 Safety

1 Safety

1.1 Information

Observe the information in these instructions.

Information is labelled as follows:



Note!

Useful information and instructions

1.2 Intended use

In the event of inappropriate or improper use, damage to the product and other property may arise.

The product is a 24-hour timer used to time control Vaillant boiler with or without hot water supply.

The product is installed at the front of Vaillant ecoTEC boilers.

Intended use includes the following:

- observance of accompanying operating, installation and maintenance instructions for the product and any other system components
- installing and setting up the product in accordance with the product and system approval
- compliance with all inspection and maintenance conditions listed in the instructions.

Intended use also covers installation in accordance with the IP code.

This product can be used by children aged from 8 years and above and persons with reduced physical, sensory or mental capabilities or lack of experience and knowledge if they have been given supervision or instruction concerning use of the product in a safe way and understand the hazards involved. Children must not play with the product. Cleaning and user maintenance work must not be carried out by children unless they are supervised.

Any other use that is not specified in these instructions, or use beyond that specified in this document, shall be considered improper use. Any direct commercial or industrial use is also deemed to be improper.

All Vaillant boilers are equipped with an anti-freeze thermostat.

**Note!**

This timer is not suitable for being used together with an external anti-freeze thermostat.

Caution.

Improper use of any kind is prohibited.

1 Safety

1.3 General safety information

1.3.1 Risk caused by inadequate qualifications

The following work must only be carried out by competent persons who are sufficiently qualified to do so:

- Set-up
- Dismantling
- Installation
- Start-up
- Decommissioning
- Proceed in accordance with current technology.

The competent person must be approved at the time by the “Health and Safety Executive”.

1.3.2 Danger caused by short-circuits

If a short circuit occurs, this may present a danger to you and others, and cause material damage.

- Before performing work on the device, switch off the power supply and secure it against being switched on again..
- Only take the timer from the base after disconnecting it from the power supply.

1.3.3 Danger caused by improper operation

Improper operation may present a danger to you and others, and cause material damage.

- Carefully read the enclosed instructions and all other applicable documents,

particularly the “Safety” section and the warnings.

- The end user may carry out the activities for which instructions are provided in the “Operation” section in these instructions.

1.4 Regulations (directives, laws, standards)

- The competent person must observe the national regulations, standards, directives, ordinances and laws.

2 Notes on the documentation

2.1 Observing other applicable documents

Always observe all the operating, installation and mounting instructions included with the system components.

2.2 Storing documents

The operator must keep this manual and all other applicable documents safe for future use.

2 Notes on the documentation; 3 Product description

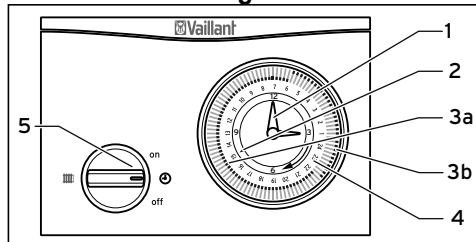
2.3 Validity of the instructions

These instructions apply only to:

timeSWITCH 150	0020116882
----------------	------------

3 Product description

3.1 Product design



- 1 Minute hand
- 2 Time mark
- 3a Slide pushed in (boiler on)
- 3b Slide pulled out (boiler off)
- 4 Time of day
- 5 Operating mode switch

3.2 Main functions

Minute hand (1)

For displaying and setting the time.

Time mark (2)

The triangular time mark indicates the time of day (e. g. 3.00 pm in Fig. 3.1).

Slide pushed in (3a)

The boiler is switched on by a pushed in slide and remains on until the timer arrives at a pulled out slide.

Slide pulled out (3b)

The boiler is switched off by a pulled out slide and remains off until the timer arrives at a pushed in slide.

Time of day (4)


The time of day is indicated by the time mark of the movable number ring with the time of day. The time of day is indicated by a 24-hour scale.

Operating mode switch (5)

This switch is used to select the operating mode (refer to Section 4.1).

3 Product description


3.4 CE marking

 The CE marking shows that the products comply with the basic requirements of the applicable directives as stated on the declaration of conformity.

The declaration of conformity can be viewed at the manufacturer's site.

3.3 Data Plate

The data plate is located inside the control on the rear of the timer's electronics (PCB).

Information on the data plate	Meaning
Serial number	for identification; 7th to 16th digits = product article number
timeSWITCH 150	Product designation
mA	Power consumption
	Read the instructions

4 Operation

This section contains instructions regarding activities that the end user may carry out.

4.1 Selecting the operating mode

You can use the operating mode switch (5) to change the operating mode of your boiler as desired.

- The boiler is switched off permanently if set to “off”.
- The boiler is switched on permanently if set to “on”.
- The boiler is time controlled according to the slide settings if set to “⌚”.

4.2 Setting the timer

Viewing the time of day

The time of day is indicated by the number ring on the time mark (2).



Note!

The timer has a 24-hour scale. 15:00 therefore corresponds to 3 pm.

Setting the time

- Turn the minute hand (1) clockwise until the desired time of day (4) is set on the time mark (2) and the hand of the clock indicates the desired time.

4 Operation

4.3 Setting slides

Set the slides as follows:

- Push the slides inwards for heating periods (**3a**).
- Pull the slides outwards for periods without heating (**3b**).

4.4 Setting the heating program

- Set the slides as desired and set the operating mode switch (**5**) to the automatic heating program “⌚”.

4.5 Weekend mode

- Turn the operating mode switch to “on” if the boiler is to be permanently on, during the weekend for example.
- To return to the automatic heating program, turn the operating mode switch to “⌚”.

4.6 Summer time mode

- Set the operating mode switch to “off” to permanently switch off the boiler.

4.7 Power failure

The timer cannot be operated with batteries. The clock is switched off in the event of a power failure. The set program is retained however. The preset program is resumed once the timer is supplied with power again.



Note!

After a power failure you must check the time of day and adjust it if necessary (refer to Section 4.2)!

4.8 Care

- Clean the time switch with a damp cloth and a little solvent-free soap.
- Do not use sprays, scouring agents, detergents, solvents or cleaning agents that contain chlorine.

4.9 Recycling and disposal

The competent person who installed your product is responsible for the disposal of the packaging.

5 Installation

This section contains instructions regarding activities that only the competent person may carry out.

5.1 Set-up

The timer is connected to the boiler by pin header connectors on the timer. The timer is pushed directly into the installation recess provided for this purpose, establishing an electrical connection to the boiler in the process.



Note!

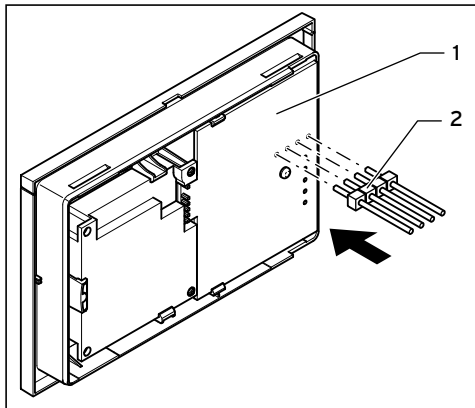
When fitting the controller in the control cabinet of the boiler, follow the controller installation instructions in the installation instructions for the boiler.

- Switch off the boiler.
- Disconnect the appliance from the power supply.
- Undo the cover from the switch box.
- Check which type of electronics box the boiler has:

If there are **vertical** plug connections with pins on the electronics box:

- Carefully press the timer into the connection in the electronics box.

If there are **horizontal** plug connections without pins on the electronics box:



- Insert the short ends of the 4-pin header connector (2) included with the timer into the four horizontal openings on the PCB for the timer (1).

5 Installation

- Carefully press the timer unit with the pin header connector into the connection in the electronics box.

5.2 Start-up

- Switch on the power supply for the boiler.
- Put the boiler into service in accordance with the operating and installation manual of the boiler.

5.3 Handing over to the owner

You must show the owner how to handle the timer and inform the owner about its functions. Please use this checklist:

Handover	Done
Hand over any instructions intended for the owner as well as the documents of the appliance and device.	
Go through the operating manual with the owner and answer any questions.	
Draw special attention to the safety instructions, which the owner must follow.	
Tell the owner to keep the manuals near the boiler together with the timer.	

5.4 Decommissioning

- Switch off the boiler.
- Disconnect the appliance from the power supply.
- Carefully remove the timer from the electronics box's plug-in connection.
- Secure the cover plate on the electronics box.

5.5 Recycling and disposal

- Dispose of the packaging correctly.
- Observe all relevant regulations.
- Do not dispose of the product with the household waste.
- Instead, hand in the product to a collection centre for waste electrical or electronic equipment.

6 Guarantee and customer service

6 Guarantee and customer service

6.1 Guarantee

We only grant a Vaillant manufacturers warranty if a suitably qualified engineer has installed the system in accordance with Vaillant instructions. The system owner will be granted a warranty in accordance with the Vaillant terms and conditions. All requests for work during the guarantee period must be made to Vaillant Service Solutions.

6.2 Customer service

To ensure regular servicing, it is strongly recommended that arrangements are made for a Maintenance Agreement. Please contact Vaillant Service Solutions for further details:
Telephone: 0330 100 3461

7 Technical data

Rated voltage	24 V $\overline{\text{---}}$
Rated current	35 mA
Rated surge voltage	330 V
Approx. weight	200 g
Protection rating	IP 20
Pollution degree	2
Maximum permitted environmental temperature	0 ... 60 °C
Current room air hum.	35 ... 95 %
Mode of operation	Type 1
Height	97 mm
Width	146,5 mm
Depth	17,5 mm

Supplier

Vaillant Ltd

Nottingham Road ■ Belper ■ Derbyshire ■ DE56 1JT

Telephone 0330 100 3461 ■ www.vaillant.co.uk ■ info@vaillant.co.uk

Manufacturer

Vaillant GmbH

Berghauser Str. 40 ■ D-42859 Remscheid

Tel. +49 21 91 18-0 ■ Fax +49 21 91 18-28 10

www.vaillant.de ■ info@vaillant.de

