

climaVAIR air conditioning

wall mount mono split systems



plus range
performance range
pro range

Air conditioning

climaVAIR

wall mount mono split system



When it comes to creating the ideal living environment, Vaillant has it all under control. For more than 130 years, we have been setting the standards in the heating market, developing products that have revolutionised the industry. Today we are still Europe's No. 1 boiler manufacturer with an enviable reputation for performance, efficiency, quality and reliability. But staying on top requires constant innovation. So we continually invest in developing new energy efficient technologies for even better solutions - all designed to create the perfect climate at home and at work.

Take air conditioning for example. In an enclosed environment, air conditioning can improve the ambient by controlling the temperature and humidity. As well as cooling the air, our heat pump systems can efficiently heat the room during colder periods. This means you can enjoy a climate controlled environment all year round. Advanced filter solutions also bring good news for allergy sufferers with the air conditioning system cleaning the air as it circulates in the room. And, due to its high efficiency in heating mode, it's more environmentally friendly than a conventional heating system.



For over 10 years, Vaillant air conditioning systems have been the preferred choice for discerning domestic and commercial customers across mainland Europe. Now available in the UK, they have been tried, tested and proven in a huge variety of applications - and because all Vaillant systems incorporate heat pump technology to heat as well as cool, our systems offer genuine year round climate control. Furthermore, each unit has plenty of built-in convenience features representing unbeatable value.

All climaVAIR air conditioning units have high efficiency ratings and utilize zero ozone depleting potential (ODP) refrigerants.

For more information contact:

Vaillant Air Conditioning sales

Vaillant Ltd., Unit D1, Lowfields Business Park, Elland,
West Yorkshire HX5 9DG

Telephone	01422 376070
Fax	01422 311986
E-mail	airconditioning@vaillant.co.uk

Technical, design, commissioning and service support

Telephone	0870 8503071
Fax	01773 525946
E-mail	aftersales@vaillant.co.uk

Training

Telephone	01634 292370
Fax	01634 292354
E-mail	training@vaillant.co.uk

Vaillant Head Office

Vaillant Ltd., Vaillant House, Trident Close, Rochester, Kent ME2 4EZ

Telephone	01634 292300
E-mail	info@vaillant.co.uk

Website **www.vaillant.co.uk**

climaVAIR plus

wall mount mono split system



Outdoor unit



Remote control



Indoor unit

High wall inverter split systems

Vaillant's climaVAIR plus heat pumps are a feature packed range for the ultimate in air conditioning comfort.

The range consists of 3 energy efficient DC inverter models ranging from 2.5kW to 5kW.

As well as the three stage filtration and standard de-ioniser found on our wall performance range, the plus range further enhances the air quality with a standard ultra violet bacteria reducing module and an optional fresh air kit.

The Plus model's modern thin 160mm flat-fronted design with it's unique concealed vent operation offers the perfect solution for offices, shops and homes.

Simple to use multi-function infra red remote control is standard across the range features include remote setting of:

- Temperature and operating mode
- Fan speed
- Louvre position
- Timer and sleep function
- Air quality settings

The plus unit even has a colour changing display for easy identification of the mode selected.

climaVAIR plus high wall split system models

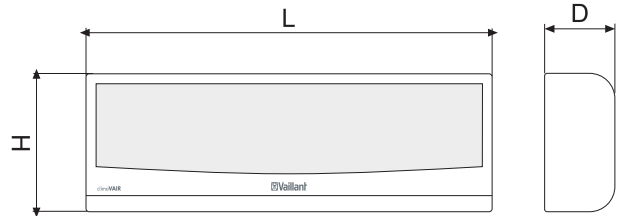
Mono inverter units:

A range of three models from 2.75 to 5.0Kw

Dimensions and features

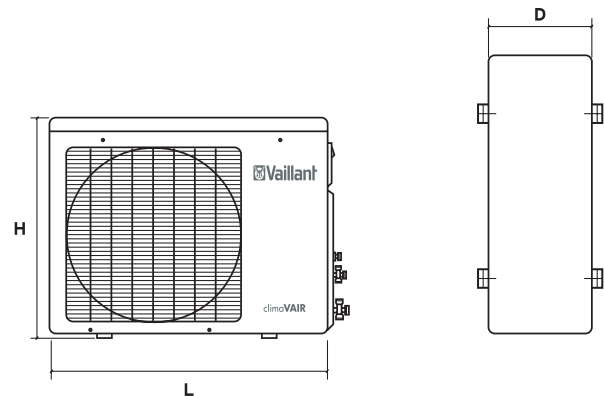
Indoor unit dimensions

Model	H	L	D	Kg
V7 - 025 NW	285	850	160	8.6
V7 - 035 NW	285	850	160	8.6
V7 - 050 NW	285	850	160	10.0



Outdoor unit dimensions

Model	H	L	D	Kg
V7 - 025 NW	543	783	255	30
V7 - 035 NW	543	783	255	30
V7 - 050 NW	643	783	255	40



All climaVAIR plus high wall units have the following features

<p>4 Modes Cooling, heating, fan and dry mode.</p>	<p>Silent operation Lowers the internal fan speed to provide reduced noise levels.</p>	<p>Anti-rust outdoor Outdoor unit made of galvanised steel and anti-rust materials. Even resistant in environments with high saline content.</p>
<p>Auto operation Automatic activation in the appropriate mode (COOL - HEAT - DRY), by adjusting its operation to the ambient temperature. The user can also select the desired airflow.</p>	<p>Turbo Increases the air conditioning speed when faster room cooling/heating is required.</p>	<p>DC inverter technology Technology which provides energy saving to conventional on/off systems.</p>
<p>Ionizer Negative ion generator which as well as being beneficial for well-being and the environment, also neutralises odours, provides freshness and reduces contamination.</p>	<p>Horizontal air swing (Cassette and high wall only) Enables the air direction to be adjusted horizontally for improved distribution.</p>	<p>R410a Energy efficient zero ozone depleting potential (ODP) refrigerant.</p>
<p>Infra-red remote control All functions controlled by infra-red remote control.</p>	<p>Vertical air swing (High wall units only) Enables the air direction to be adjusted vertically for improved distribution.</p>	<p>Twin rotary Twin rotating cylinders provide improved efficiency and reduced vibration in comparison with single types.</p>
<p>Hot start function Only starts the internal fan when the heating coil is hot to prevent cool air discharge.</p>	<p>Sleep function Function which adapts the ambient temperature during sleep.</p>	<p>Anti dust filter Removes small particles of dust and debris from the circulated air.</p>
<p>Single phase supply All climaVAIR multi units operate on a single phase supply.</p>	<p>24hr programmer Programs the units so that they start or stop at user defined times.</p>	<p>Anti-germ Filter with special coating to neutralise bacteria and germs.</p>
<p>Fresh air option Fresh air introduction feature. Transfers the fresh air from the outside to inside via an in-built heat exchanger for maximum efficiency.</p>	<p>Outdoor valve protector Protects the valves on the outdoor unit from exposure to the elements.</p>	<p>Activated carbon filter Filter with special coating to provide anti-odour and sterilisation of the circulated air to remove harmful smells and odours.</p>
<p>Auto restart function After power cut this function ensures the system restarts with the same settings (as those in force prior to power supply interruption).</p>	<p>Energy class 'A' Many unit combinations achieve 'A' rated energy efficiency.</p>	<p>Ultra-Violet Lamp emitting UV-C rays which kill micro-organisms and mould spores.</p>
	<p>Defrost Prevents the outdoor unit from freezing in the winter months.</p>	

climaVAIR performance wall mount mono split system



Outdoor unit



Remote control



Indoor unit

High wall inverter split systems

Vaillant's climaVAIR performance heat pump range is designed to complement any indoor décor. The range consists of 4 energy efficient DC inverter models ranging from 2.5kW to 6kW. These feature packed units provide as standard three stage filtration, de-ioniser and remotely controlled air louvres to afford the user a constant stream of filtered and conditioned air.

Simple to use multi-function infra red remote control is standard across the range. Features include remote setting of:

- Temperature and operating mode
- Fan speed
- Louvre position
- Timer and sleep function
- Air quality settings

climaVAIR performance high wall split system models

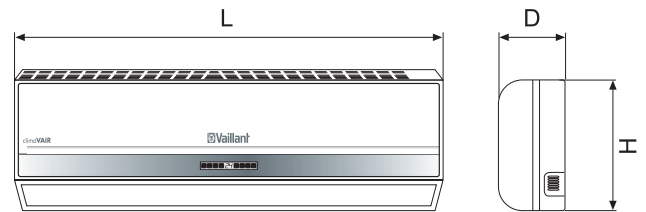
Mono inverter units:

A range of four models from 2.5 to 6.0Kw

Dimensions and features

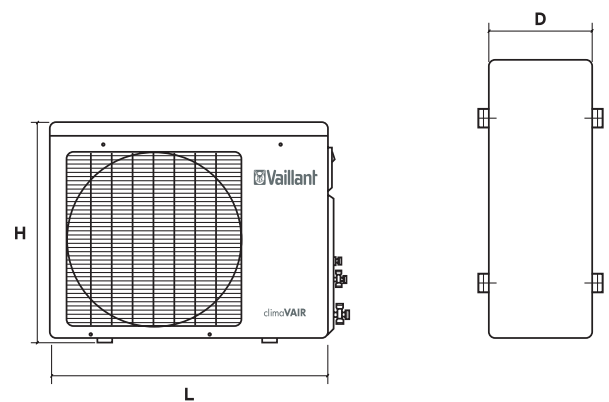
Indoor unit dimensions

Model	H	L	D	Kg
V10 - 025 NW	285	760	185	8.5
V10 - 035 NW	285	760	185	8.5
V10 - 050 NW	304	865	228	12
V10 - 065 NW	304	865	288	12



Outdoor unit dimensions

Model	H	L	D	Kg
V10 - 025 NW	543	783	255	31
V10 - 035 NW	543	783	255	32
V10 - 050 NW	650	820	290	39
V10 - 065 NW	680	810	288	45



All climaVAIR performance high wall units have the following features

<p>4 Modes Cooling, heating, fan and dry mode.</p>	<p>Turbo Increases the air conditioning speed when faster room cooling/heating is required.</p>	<p>DC inverter technology Technology which significantly reduces energy and CO₂ output by matching compressor speed to cooling/heating requirement.</p>
<p>Auto operation Automatic activation in the appropriate mode (COOL - HEAT - DRY), by adjusting its operation to the ambient temperature. The user can also remotely select the desired airflow.</p>	<p>Horizontal air swing Enables the air direction to be adjusted horizontally for improved distribution.</p>	<p>R410a Energy efficient zero ozone depleting potential (ODP) refrigerant.</p>
<p>Ionizer Negative ion generator which as well as being beneficial for well-being and the environment, also neutralises odours, provides freshness and reduces contamination.</p>	<p>Vertical air swing Enables the air direction to be adjusted vertically for improved distribution.</p>	<p>Twin rotary Twin rotating cylinders provide improved efficiency and reduced vibration in comparison with single types.</p>
<p>Infra-red remote control All functions controlled by infra-red remote control.</p>	<p>Sleep function Function which adapts the ambient temperature during sleep.</p>	<p>Anti dust filter Removes small particles of dust and debris from the circulated air.</p>
<p>Hot start function Only starts the internal fan when the heating coil is hot to prevent cool air discharge.</p>	<p>24hr programmer Programs the units so that they start or stop at user defined times.</p>	<p>Anti-germ Filter with special coating to neutralise bacteria and germs.</p>
<p>Auto restart function After power cut this function ensures the system restarts with the same settings (as those in force prior to power supply interruption).</p>	<p>Outdoor valve protector Protects the valves on the outdoor unit from exposure to the elements.</p>	<p>Activated carbon filter Filter with special coating to provide anti-odour and sterilisation of the circulated air to remove harmful smells and odours.</p>
<p>Silent operation Lowers the internal fan speed to provide reduced noise levels.</p>	<p>Defrost Prevents the outdoor unit from freezing in the winter months.</p>	
	<p>Anti-rust outdoor Outdoor unit made of galvanised steel and anti-rust materials. Even resistant in environments with high saline content.</p>	

climaVAIR pro

wall mount mono split system



Outdoor unit



image not marked as UK - is it ok to use?

Remote control



Indoor unit

High wall on/off split systems

Vaillant's climaVAIR Pro range is ideal for residential, retail, restaurant and office use and are easily mounted on a suitable wall at high level.

The range consists of 4 fixed speed models ranging from 2.5kW to 7kW.

All are heat pump units providing heating, cooling and dehumidification modes.

Infra red remote control is standard across the range. All units have high efficiency ratings with all achieving the highest 'A/A' rating for heating and cooling modes, except for the 7kW unit which achieves a B/B rating. Each unit is fitted with a three stage filtration system consisting of anti-dust, bio and cold catalyst layers.

climaVAIR Pro high wall split system models

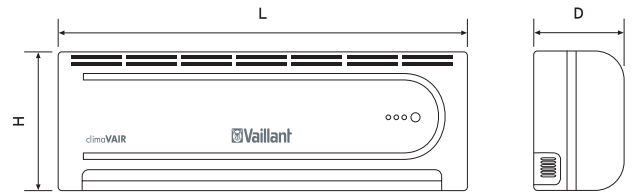
Mono on/off units:

A range of four models from 2.75 to 7.25Kw

Dimensions and features

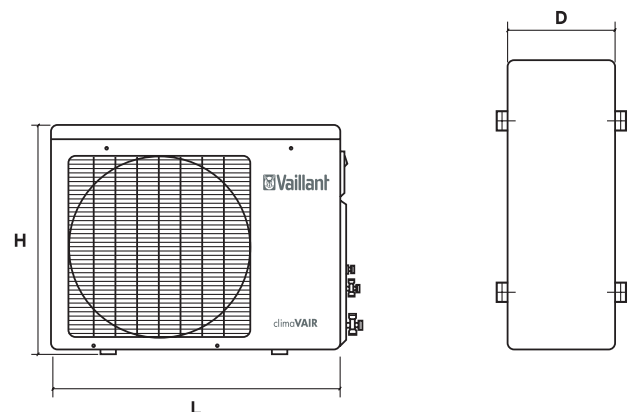
Indoor unit dimensions

Model	H	L	D	Kg
V11 - 025 W	270	790	180	10
V11 - 035 W	270	790	180	12
V11 - 050 W	320	1080	205	18
V11 - 070 W	320	1080	205	18














Outdoor unit dimensions

Model	H	L	D	Kg
V11 - 025 W	540	795	255	30
V11 - 035 W	540	795	255	36
V11 - 050 W	540	795	255	40
V11 - 070 W	700	870	310	58



All climaVAIR pro high wall units have the following features

 <p>R410a Energy efficient zero ozone depleting potential (ODP) refrigerant.</p>	 <p>Energy class 'A' Class 'A', maximum energy efficiency.</p>	 <p>Anti Dust filter Removes small particles of dust and debris from the circulated air.</p>
 <p>4 Modes Cooling, heating de-humidification and fan only modes available</p>	 <p>Anti-rust outdoor Outdoor unit made of galvanised steel and anti-rust materials. Even resistant in environments with high saline content.</p>	 <p>Bio filter Filter with slow release of purification and moisturising agents.</p>
 <p>Timer Infra red timer setting to control operation of air conditioner.</p>	 <p>Outdoor valve protector Protect the service valves on the outdoor unit from exposure to the elements.</p>	 <p>Cold catalyst filter Filter with special coating to provide anti-odour and sterilisation of the circulated air to remove harmful particles.</p>
 <p>Single phase supply All units operate on single phase power supply.</p>	 <p>Infra red control All major functions controlled remotely via infra red controller.</p>	

Technical specification - plus range

System reference		climaVAIR plus mono inverter heat pump		
		V7 - 025 NW	V7 - 035 NW	V7 - 050 NW
Cooling capacity (Min-max)	kW	2.53	3.43	4.60
	kW	0.95-3.10	0.60-3.92	1.05-5.20
Heating capacity (Min-max)	kW	3.03	3.98	5.32
	kW	1.00-3.80	0.70-4.80	1.20-6.00
Power input cooling/heating	kW	0.74/0.75	1.07/1.10	1.53/1.65
Operating current cooling/heating	A	4.50/4.50	4.80/4.70	7.06/7.70
EER/COP		3.40/4.03	3.21/3.63	3.00/3.22
Energy level class		A/A	A/A	B/C
Annual consumption ¹	kWh	372	534	766
Indoor unit		V7 - 025 NHI	V7 - 035 NHI	V7 - 050 NHI
Air flow volume high/med/low	m ³ /h	350/320/280	450/410/360	500/460/420
Remote control		Infra-red	Infra-red	Infra-red
Sound pressure level (min/max) ²	dB(A)	32/43	32/43	36/45
Dimensions HxLxD	mm	285x850x160	285x850x160	285x850x160
Weight	Kg	10	10	10
Outdoor unit		V7 - 025 NHO	V7 - 035 NHO	V7 - 050 NHO
Air flow volume	m ³ /h	1,800	2,100	1,800
Sound pressure level ³	dB(A)	50	50	46
Refrigerant		R410a	R410a	R410a
Refrigerant charge heat pump	gr.	700	1,000	1,350
Compressor type		DC inverter twin rotary	DC inverter twin rotary	DC inverter scroll
Dimensions HxLxD	mm	545x780x245	545x780x245	643x783x255
Weight	Kg	30	30	40
Installation				
Power supply	V/Ph/Hz	220/1/50	220/1/50	220/1/50
Max. operating current	A	6.70	8.00	8.90
Recommended fuse size (Type D)	A	10	10	16
Interconnecting cores (indoor to outdoor)		3 core + earth	3 core + earth	3 core + earth
Supply to:		Indoor	Indoor	Indoor
Pipe connection liquid/gas	in	1/4-3/8	1/4-3/8	1/4-1/2
Max. piping length	m	15	15	15
Max. height differential indoor to outdoor	m	10	10	10
Chargeless length	m	5	5	5
Additional charge per metre	gr	20g	20g	20g

¹ Based on 500 hours operating at maximum load.

² Sound pressure level IU: directivity 3 dB(A) distance 2.2m.

³ Sound pressure level OU: directivity 3 dB(A) distance 1.8m.

⁴ Minimum operating temperature cooling/heating 18°C/-7°C

Nominal cooling capacities based on indoor temperatures of 27°CDB/19°CWB -- outdoor temperatures 35°CDB/24°CWB.

Technical specification - performance range

System reference	climaVAIR performance mono inverter heat pump				
	V 10-025 NW	V 10-035 NW	V 10-050 NW	V 10-065 NW	
Cooling capacity	kW	2.57	3.81	4.93	5.84
Power input	kW	0.72	1.05	1.56	1.89
Min - Max cooling capacity ¹	kW	0.66 - 3.1	0.76 - 4.1	1.25 - 6.0	1.72 - 6.30
Min - Max cooling power input ¹	kW	0.12 - 1.1	0.19 - 1.6	0.53 - 2.69	0.63 - 3.02
Nominal capacity (UK conditions)	kW	2.37	3.50	4.53	4.98
Power input (UK conditions)	kW	0.66	0.96	1.43	1.74
Operating current	A	4.07	5.07	7.07	8.07
	EER	3.57	3.64	3.16	3.09
Energy level class	A	A	B	B	
Annual consumption	kWh	361	524	780	946
Heating capacity	kW	3.17	3.91	5.96	6.06
Power input	kW	0.82	1.04	1.84	1.86
Min - Max heating capacity ¹	kW	0.8 - 3.8	0.9 - 4.6	1.4 - 7	1.5 - 8.02
Min - Max heating power input ¹	kW	0.14 - 1.4	0.24 - 2.3	0.55 - 2.65	0.75 - 3.05
Nominal capacity (UK conditions)	kW	2.70	3.32	5.57	5.47
Power input (UK conditions)	kW	0.70	0.88	1.57	1.71
Operating current	A	4.50	5.50	8.02	9.08
	COP	3.85	3.77	3.23	3.25
Energy level class	A	A	C	C	
Max power input	kW	1.35	1.82	2.54	2.45
Max operating current	A	5.80	8.20	11.50	11.80
Recommended fuse size	A	10.00	10.00	16.00	16.00
Indoor unit		VA10-025 NHI	VA10-035 NHI	VA10-050 NHI	VA10-065 NHI
Air flow volume	m3/h	320/370/420	380/440/500	470/530/600	530/610/680
Remote control type		Infrared	Infrared	Infrared	Infrared
Catalogue sound pressure ²	dB(A)	26/32/38	28/35/40	34/41/45	34/41/45
Dimensions HxLxD	mm	285x760x185	285x760x185	304x865x228	304x865x228
Net weight	Kg	8.5	8.5	12	12
Outdoor unit		VA10-025 NHO	VA10-035 NHO	VA10-050 NHO	VA10-065 NHO
Air flow volume	m3/h	1,800	2,100	2,600	2,800
Sound pressure level ³	dB(A)	50	50	53	53
Refrigerant		R410A	R410A	R410A	R410A
Refrigerant charge heat pump	gr	650	940	1,380	1,700
Inverter DC / AC		DC	DC	DC	DC
Compressor type		Single rotary	Twin rotary	scroll compressor	scroll compressor
Dimensions HxLxD	mm	543x783x255	543x783x255	650x820x290	680x810x288
Installation					
Power supply	V.Ph.Hz	220-240/1/50	220-240/1/50	220-240/1/50	220-240/1/50
Pipe connection liq/gas	inches	1/4" - 3/8"	1/4" - 3/8"	1/4" - 1/2"	1/4" - 1/2"
PM (Max pressure)	bar	35	36	37	41.5
pm (min pressure)	bar	7	6	5	4
Max. Piping length	m	15	15	15	15
Max. Height IU under OU	m	10	10	10	10
Max. Height OU under IU	m	10	10	10	10
Chargeless length	m	5	5	5	5
Additional charge per meter	gr	20	20	20	30

¹ Actual ratings dependent on system components.

² Sound pressure level indoor unit: directivity 3 dB(A) distance 2.2m.

³ Sound pressure level external unit: directivity 3 dB(A) distance 1.8m.

Nominal cooling capacities based on indoor temperatures of 27°CDB/19°CWB -- outdoor temperatures 35°CDB/24°CWB

Technical specification - pro range

System reference	climaVAIR pro mono on/off heat pump				
	V 11-025 W	V 11-035 W	V 11-050 W	V 11-070 W	
Cooling capacity	kW	2.75	3.80	5.41	7.28
Heating capacity	kW	2.81	4.04	5.62	7.74
Power input cooling/heating	kW	0.85/0.76	1.18/1.10	1.68/1.50	2.30/2.26
Operating current cooling/heating	A	4.00/3.80	5.30/4.87	7.70/6.80	10.30/10.40
EER/COP		3.24/3.68	3.22/3.68	3.22/3.74	3.17/3.42
Energy level class		A/A	A/A	A/A	B/B
Annual consumption ¹	kWh	424	590	840	1150
Indoor unit		V 11-025 HWI	V 11-035 HWI	V 11-050 HWI	V 11-070 HWI
Air flow volume low/med/high	m ³ /h	450/400/370	550/520/500	950/800/700	1200/900/750
Remote control		Infra red	Infra red	Infra red	Infra red
Sound pressure level (min/max) ²	dB(A)	30	30	32	32
Dimensions HxLxD	mm	270x790x180	270x790x180	320x1080x205	320x1080x205
Weight	Kg	10	12	18	18
Outdoor unit		V 11-025 HWO	V 11-035 HWO	V 11-050 HWO	V 11-070 HWO
Air flow volume	m ³ /h	1800	1800	2000	2800
Sound pressure level ³	dB(A)	51	51	53	53
Refrigerant		R410A	R410A	R410A	R410A
Refrigerant charge heat pump	gr	560	900	1670	2100
Compressor type		Rotary non-inverter	Rotary non-inverter	Rotary non-inverter	Rotary non-inverter
Dimensions HxLxD	mm	540x795x255	540x795x255	540x795x255	700x870x310
Weight	Kg	30	36	40	58
Installation					
Power supply	V.Ph.Hz	220-240/1/50	220-240/1/50	220-240/1/50	220-240/1/50
Max operating current	A	8.20	7.32	12.30	19.50
Recommended fuse size (Type D)	A	10	10	16	20
Interconnecting cores (indoor to outdoor)		4 core + Earth	4 core + Earth	4 core + Earth	5 core + earth
Supply to		Indoor	Indoor	Indoor	Outdoor
Pipe connection liq/gas	inches	1/4-3/8	1/4-3/8	1/4-1/2	3/8-5/8
Max. Piping length	m	20	20	25	25
Max. height differential indoor to outdoor	m	10	10	15	15
Chargeless length	m	5	5	5	5
Additional charge per metre	gr	30g	35g	35g	60g

¹ Based on 500 hours operating at maximum load

² Sound pressure level IU: directivity 3 dB(A) distance 2.2 m.

³ Sound pressure level OU: directivity 3 dB(A) distance 1.8 m.

Minimum operating temperature cooling/heating 18°C/-7°C

Nominal cooling capacities based on indoor temperatures of 27°CDB/19°CWB -- outdoor temperatures 35°CDB/24°CWB.

Vaillant Ltd.

Vaillant House ■ Medway City Estate ■ Trident Close ■ Rochester ■ Kent ME2 4EZ
Telephone 01634 292300 ■ Fax 01634 290166 ■ www.vaillant.co.uk ■ info@vaillant.co.uk